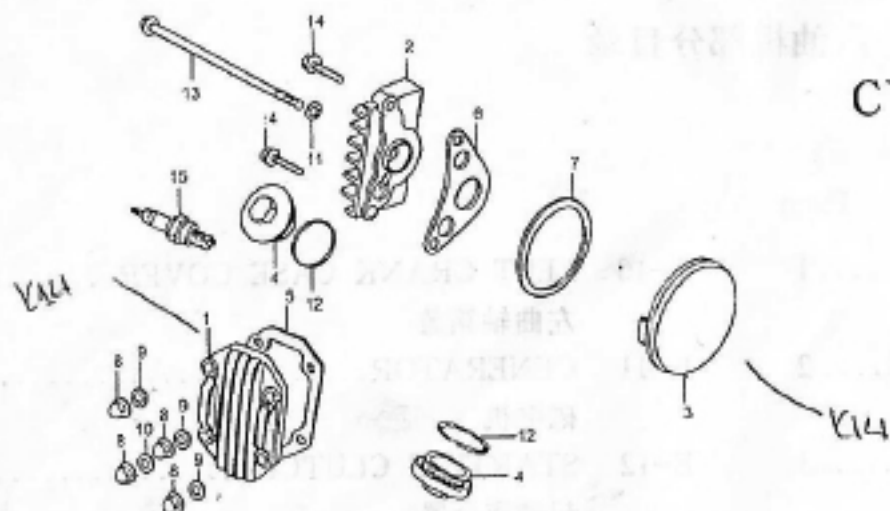


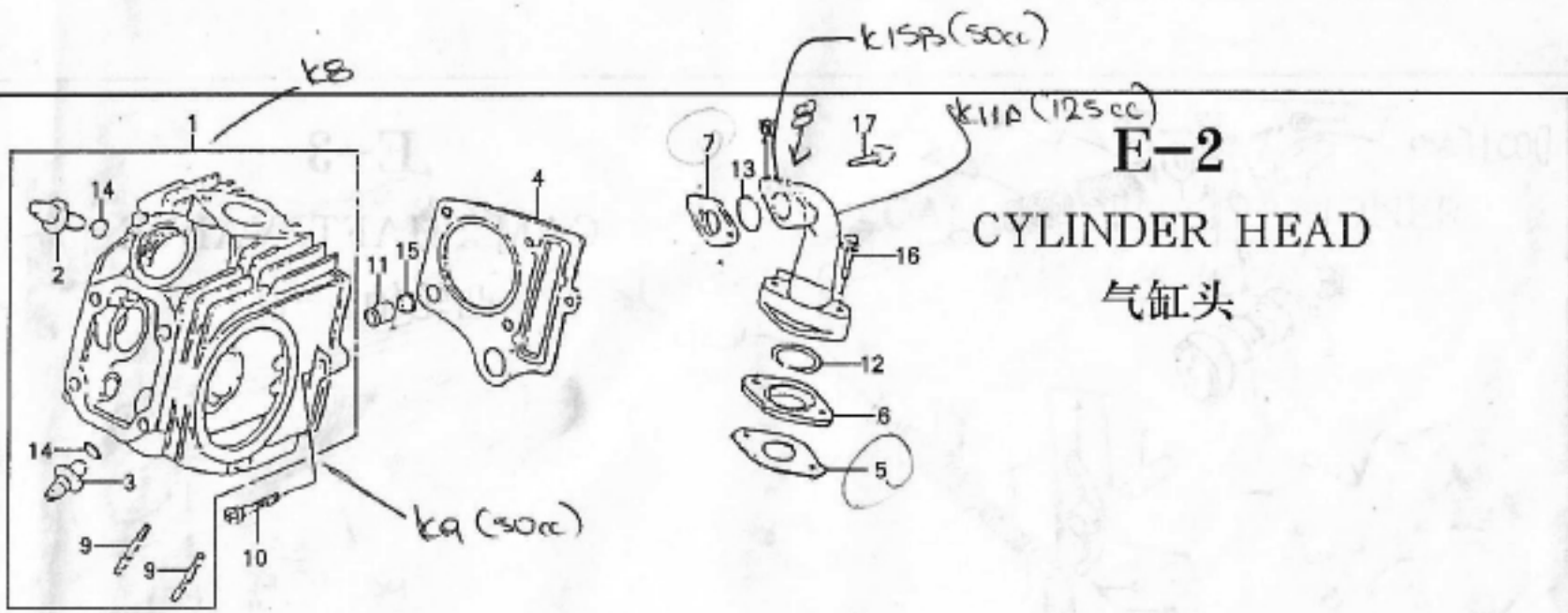
## E-1

## CYLINDER HEAD COVER

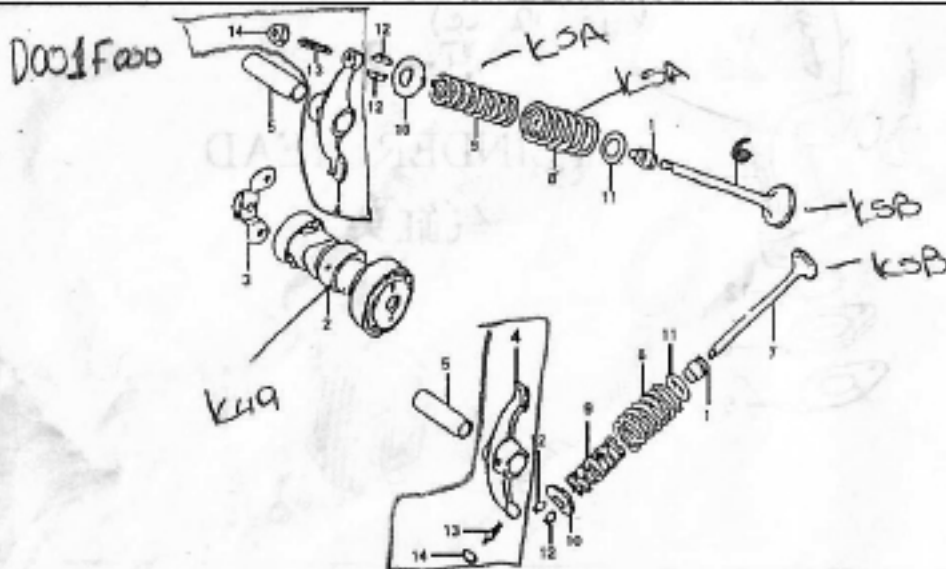
## 气缸头盖



No.	Part No.	Part Name	Reqd.No.	Remark
1	D00A036	CYLINDER HEAD COVER	1	
2	D001A035	R. CYLINDER HEAD SIDE COVER	1	
3	D001A033	L. CYLINDER HEAD SIDE COVER	1	
4	D00A032	TAPPET ADJUSTING HOLE CAP	2	
5	D00B009	CYLINDER HEAD COVER GASKET	1	
6	D00B007	R. CYLINDER HEAD SIDE COVER GASKET	1	
7	D00B006	L. CYLINDER HEAD SIDE COVER GASKET	1	
8	923060000	CAP NUT 6MM	4	
9	D00L017	SEALING WASHER 6MM	3	
10	D00L012	SEALING WASHER A 6MM	1	
11	D00L020	SEALING WASHER 6.5*12	1	
12	D00C058	O-RING 30.8*3	2	
13	96006110	FLANGE BOLT 6*110	1	
14	96006014	SH FLANGE BOLT 6*20	2	
15	D00D021	SPARK PLUG	1	



No.	Part No.	Part Name	Reqd.No.	Remark
1	E02A000	CYLINDER HEAD BODY COMP	1	
2	D00A001	IN. VALVE GUIDE	1	
3	D00A002	EX. VALVE GUIDE	1	
4	E02B008	CYLINDER HEAD GASKET	1	
5	D00B014	INSULATOR GASKET	1	
7	D00C039	CARBURATOR INSULATOR	1	
8	L00JQ20	INLET PIPE	1	
9	D00M009	STUD BOLT 6*32	2	
10	D00M015	BOLT 6*22	1	
11	D00L040	COLLAR 9.5MM	1	
13	D00C059	O-RING 25*2.4	1	
14	D00C047	O-RING 9*1.6	1	
15	D00C031	RUBBER GASKET 9MM	1	
16	578306028	FLANGE BOLT 6*28	2	
17	578306025	SH FLANGE BOLT 6*25	2	



# E-3

## CAM SHAFT/VALVE

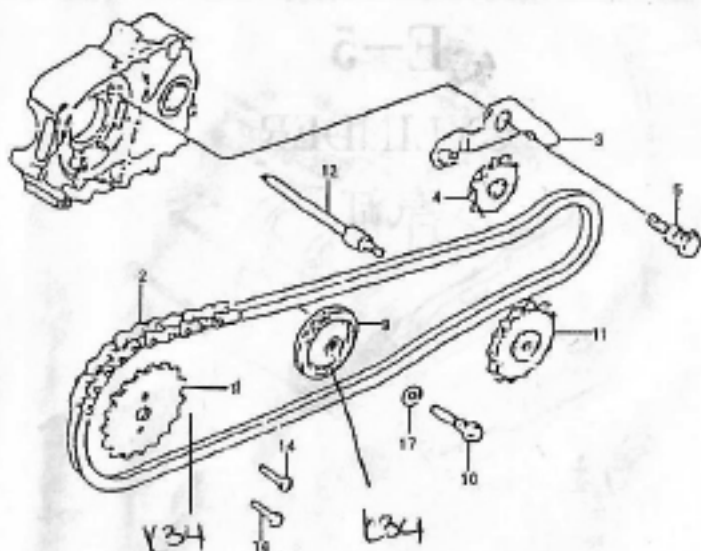
### 凸轮轴 / 气门

No.	Part No.	Part Name		Reqd.No.	Remark
1	D00C043	VALVE STEM SEAL	气门油封	2	
2	D00F020	CAM SHAFT COMP	凸轮轴组件 - K49	1	
3	D00F013	STOPPER PLATE COMP	限位板组件	1	
4	D001F000	VALVE ROCKER ARM	气门摇臂	2	
5	D00F015	VALVE ROCKER ARM SHAFT	摇臂轴	2	
6	D00F045	IN. VALVE	进气门 - KSB	1	
7	D00F039	EX. VALVE	排气门 - KSB	1	
8	D00H003	VALVE OUTER SPRING	气门外弹簧 - KSA	2	
9	D00H004	VALVE INNER SPRING	气门内弹簧 - KSA	2	
10	D00F034	VALVE SPRING RETAINER	气门内外弹簧座	2	
11	D00F031	VALVE SPRING OUTER SEAT	气门弹簧外座	2	
12	D00F033	VALVE COTTER	气门锁夹	4	
13	A00F001	TAPPET ADJUSTING SCREW	气门调整螺钉	2	
14	A00F002	TAPPET ADJUSTING NUT	气门调整螺母	2	
15	D001F000				

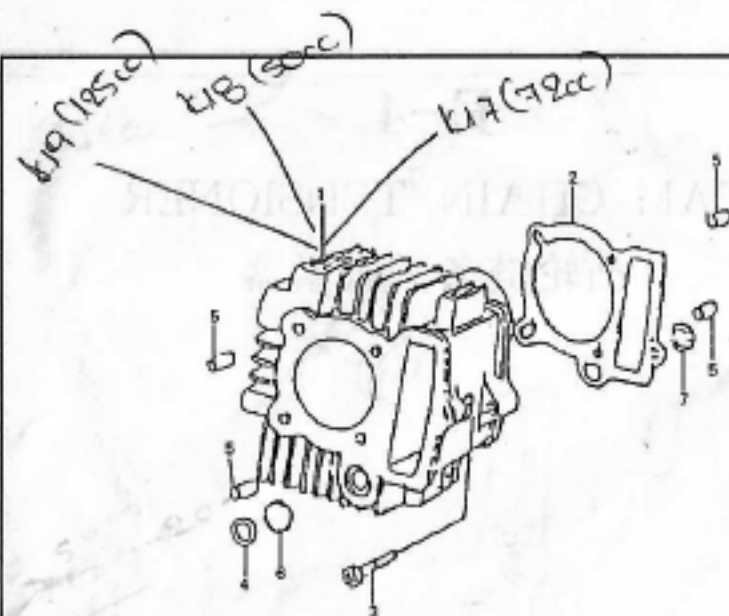
## E-4

## CAM CHAIN/TENSIONER

## 凸轮链条 / 张紧器



No.	Part No.	Part Name	Reqd.No.	Remark
1	A00F011	CAM SPROCKET	1	
2	D00F012	CAM CHAIN	1	
3	D00F043	CAM CHAIN TENSIONER ARM COMP	1	
4	D00C020	CAM CHAIN TENSIONER ROLLER	1	
5	D00F044	CAM CHAIN TENSIONER PIVOT	1	
6	D00H006	CAM CHAIN TENSIONER SPRING	1	
7	D00F042	CAM CHAIN TENSIONER PUSH ROD COMP	1	
8	D00C022	CAM CHAIN TENSIONER PUSH ROD HEAD	1	
9	D00C023	CAM CHAIN GUIDE ROLLER COMP	1	
10	D00F048	CAM CHAIN GUIDE ROLLER PIN	1	
11	D00E028	CAM CHAIN GUIDE SPROCKET	1	
12	D00E027	CAM SHAIN GUIDE SPROCKET SPINDLE	1	
13	D00E025	SEALING BOLT 14MM	1	
14	578305012	KNOCK BOLT 5MM	3	
15	D00L021	SEALING WASHER 14MM	1	
17	D00L019	WASHER 8MM	1	



# E-5

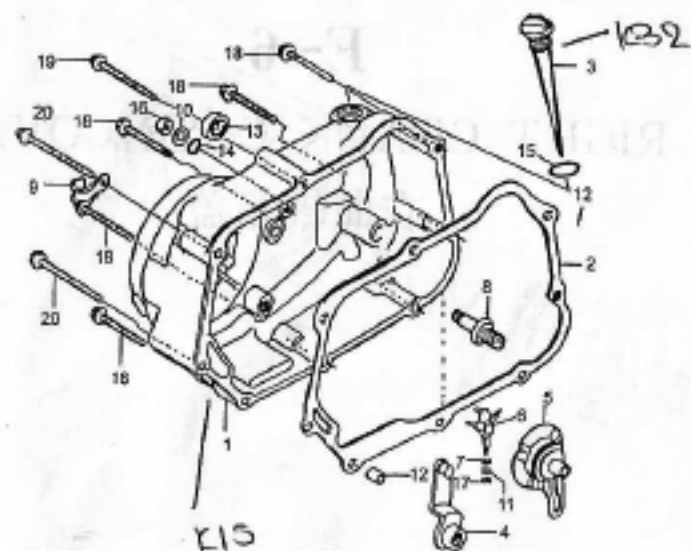
## CYLINDER

### 气缸

No.	Part No.	Part Name		Reqd.No.	Remark
1	E00A038	CYLINDER	气缸-K19-K18-K17	1	
2	E00B010	CYLINDER GASKET	气缸体密封垫	1	
3	D00M009	BOLT 6*22	螺栓 6*22	1	
4	D00L032	COLLAR 14.8MM	衬套 14.8mm	1	
5	97008014	DWOER PIN 8*14	定位销 8*14	2	
6	D00L033	O-RING 14.5MM	O形密封圈 14.5mm	1	
7	D00L035	PACKING RUBBER 16MM	矩形密封圈 16mm	1	



HAECTPOV K 2 E 7

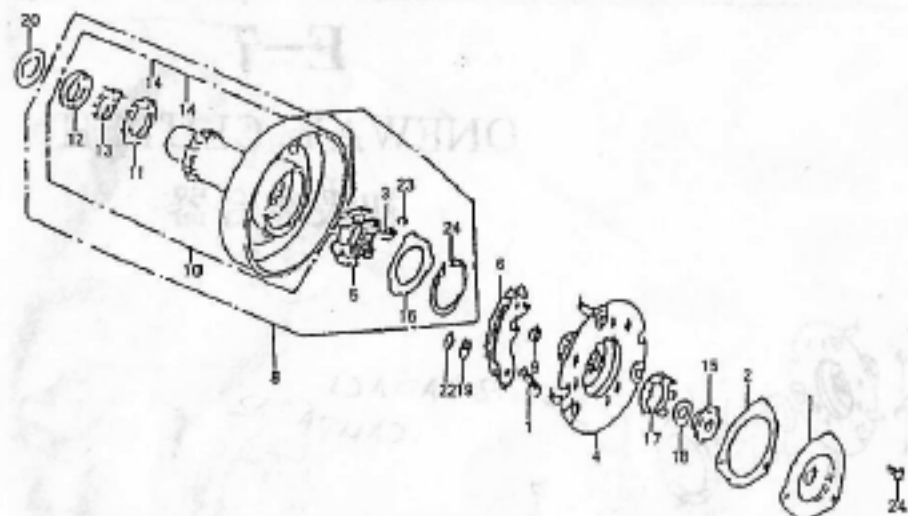


# E-6

## RIGHT CRANK CASE COVER

### 右曲轴箱盖

No.	Part No.	Part Name	Reqd.No.	Remark
1	D00A034	R. CRANK CASE COVER COMP	1	
2	D00B002	R. CRANK CASE COVER GASKET	1	
3	D00C038	OIL LEVEL GAUGE	1	
4	D00G056	CLUTCH LEVER COMP	1	
5	D00G044	CLUTCH LIFTER PLATE COMP	1	
6	D00G045	BALL RETAINER COMP	1	
8	D00G049	CLUTCH ADJUSTING BOLT	1	
9	D00L039	CORD CLIP	1	
10	D00L015	WASHER 8MM	1	
12	97008012	DOWEL PIN 8*12	2	
13	D00C016	OIL SEAL 13.8*24*5	1	
14	D00C055	O-RING 8MM	1	
15	D00C060	O-RING 18*3	1	



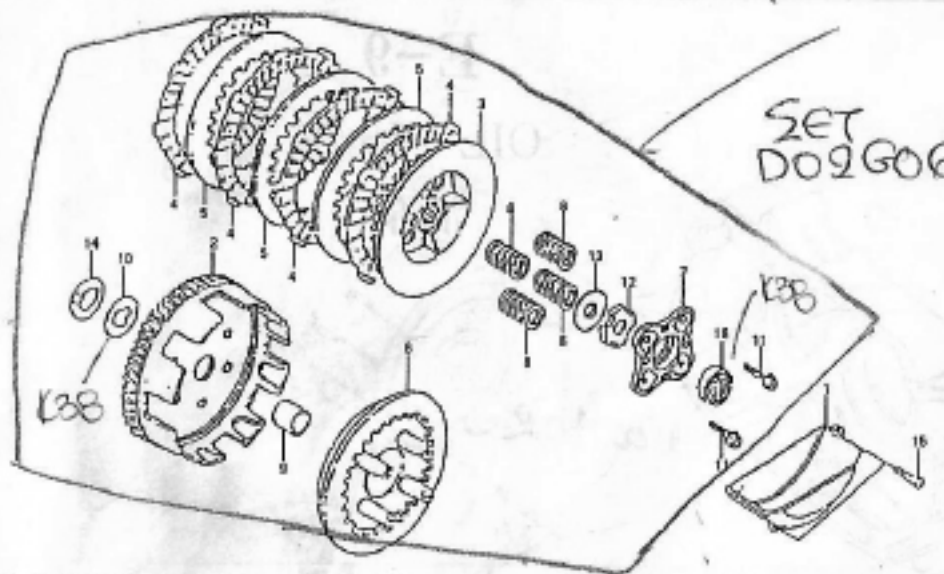
# E-7

## ONEWAY CLUTCH

### 初级离合器

No.	Part No.	Part Name	Reqd.No.	Remark
1	D00G104	OIL FILTER COVER	1	
2	D00G103	OIL FILTER GASKET	1	
3	D00G106	ONE WAY RETAINER SPRING	6	
4	D00G101	PRIMARY DRIVE PLATE COMP	1	
5	D00G107	ONE WAY CLUTCH INNER COMP	1	
6	D00G105	PRIMARY CLUTCH WEIGHT	3	
7	D00G108	PRIMARY CLUTCH SPRING	3	
8	D00G110	CENTRIFUGAL CLUTCH OUTER ASSY	1	
9	D00G109	CLUTCH DAMPER RUBBER	3	
11	D00G111	SUB GEAR	1	
12	D00G112	SIDE COLLAR	1	
13	D00G113	SUB GEAR SPRING	1	
14	D00G114	PIN	2	
15	A.00G055	LOCK NUT B 14MM	1	
16	D00G115	WASHER 30*45*0.5	1	

CAUTIONS E21



# E-8

## CLUTCH

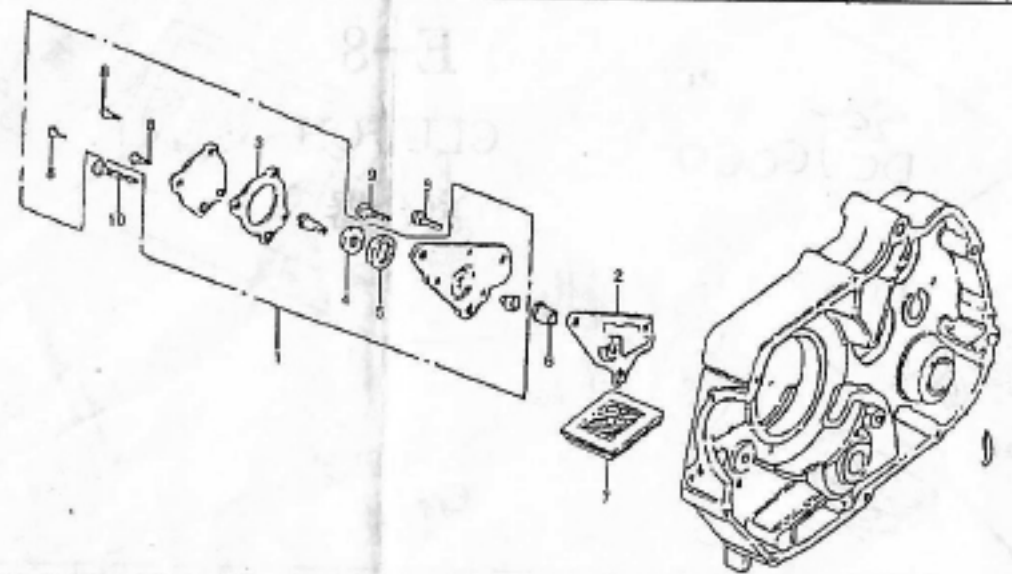
### 离合器

No.	Part No.	Part Name	Reqd.No.	Remark
1	D00G050	OIL SEPARATOR PLATE	1	
2	D00G131	CLUTCH OUTER COMP	1	
3	D00G132	CLUTCH CENTER	1	
4	D00G001	CLUTCH FRICTION DISK	4	
5	A00G003	CLUTCH PLATE	3	
6	D00G134	CLUTCH PRESSURE PLATE	1	
7	D00G104	CLUTCH LIFTER PLATE	1	
8	A00G002	CLUTCH SPRING	4	
9	D00G006	CLUTCH CENTER COLLAR	1	
10	D00G051	SET RING 17	1	
11	578306022	SPECIAL FLANGE BOLT 6*22	4	
12	D00G024	LOCK NUT 14	1	
13	A00G052	LOCK WASHER B	1	
14	D00L053	SPLINE WASHER B17MM	1	
15	578306020	HEX BOLT 6*20	2	
16	2766000	RADIAL BALL BEARING 6000	1	
17	D00G053	PLASTIC COLLAR	1	



129 ANOPOOTES

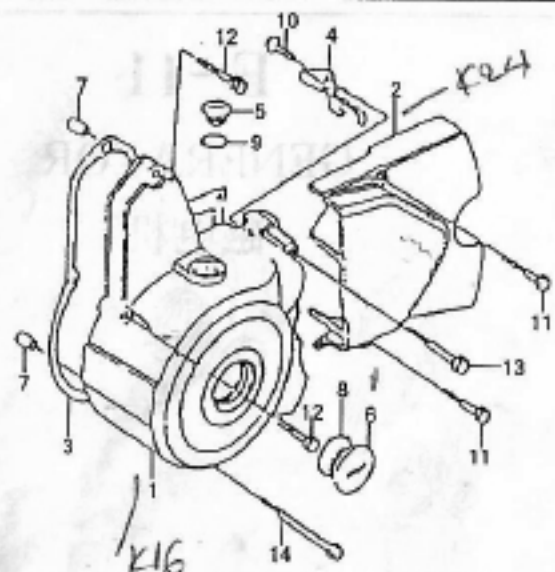
**E-9**  
OIL PUMP  
油泵



1004020

No.	Part No.	Part Name	Reqd.No.	Remark
1	D00E000	OIL PUMP ASS' Y	1	
2	D00B017	OIL PUMP BODY GASKET	1	
3	A00E008	OIL PUMP COVER GASKET	1	
4	D00E006	OIL PUMP INNER ROTOR	1	
5	D00E007	OIL PUMP OUTER ROTOR	1	
6	D00E022	OIL PUMP PIVOT	1	
7	D00C037	OIL FILTER SCREEN	1	
8	81805010	SCREW, PAN, 5*10	3	
9	81805016	PAN SCREW 5*16	2	
10	81805022	PAN SCREW 5*22	1	

ΚΩΔ ΠΟΛΥΑΝΤΙΣΤΑΣΕΩΣ (ΓΙΝΕΤ ΛΑΘΕΙΑ)



# E-10

## LEFT CRANK CASE COVER

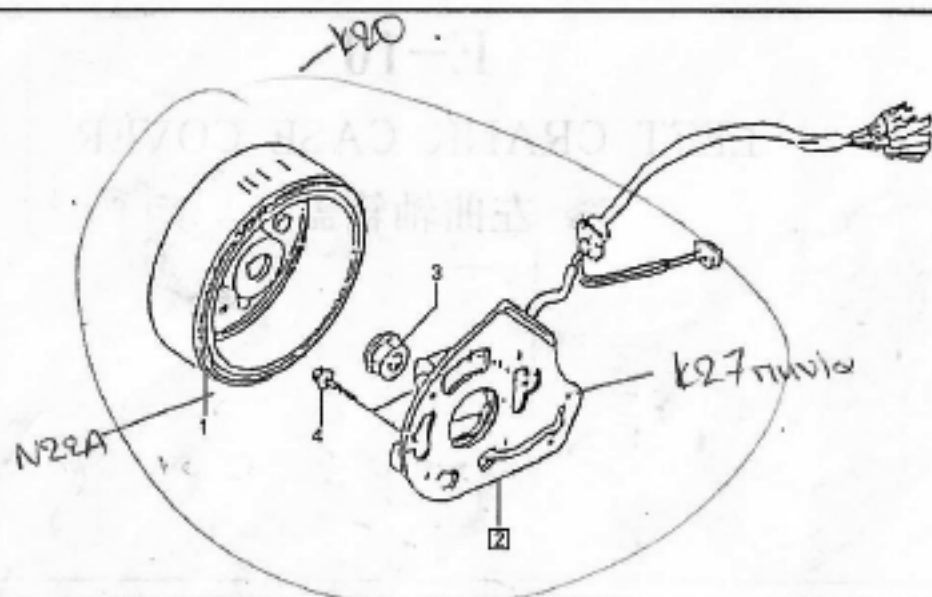
### 左曲轴箱盖

No.	Part No.	Part Name	Reqd.No.	Remark
1	D00A040	L. CRANK CASE COVER	1	
2	L00WG13	L. RR CRANK CASE COVER	1	
3	D00B001	L. CRANK CASE COVER GASKET	1	
4	D00L011	CLAMPER	1	
5	D00A042	A. C GENERATOR CAP	1	
6	D00A043	CAP 30MM	1	
7	97008012	DOWEL PIN 8*12	2	
8	D00C051	O RING 27*2.0	1	
9	D00C052	O RING 13.8*2.5	1	
10	578306016	FLANGE BOLT 6*16	1	
11	96006028	SH FLANGE BOLT 6*28	3	
12	96006032	SH FLANGE BOLT 6*32	1	
13	96006050	SH FALNGE BOLT 6*50	1	
14	96006065	SH FALNGE BOLT 6*65	1	

# E-11

## GENERATOR

### 磁电机



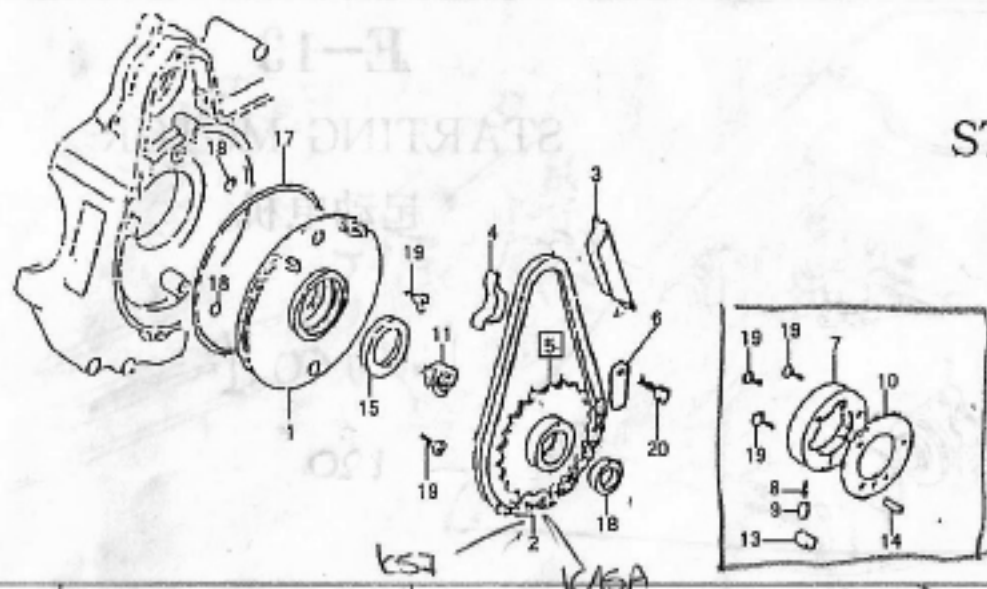
No.	Part No.	Part Name		Reqd.No.	Remark
1	D00D060	FLYWHEEL COMP-N22A	转子	1	
2	D00D070	STARTOR COMP-K27	定子	1	
3	617710000	FLANGE NUT 10MM	索环 10mm	1	
4	578306016	FLANGE BOLT 6*16	垫圈 6*16	2	

НАИМОЕ КАРМАННАЦЛР 50cc K15P  
27 27 125cc K11A

# E-12

## STARTING CLUTCH

### 起动离合器



7  
D00G072 болонер бi Jay  
KW  
DwG070 -

No.	Part No.	(ПРАВЛІА СЪММЕРІА) Part Name	Reqd.No.	Remark
1	D00A060	OIL SEPARATE PLATE	1	
2	D00I011	STARTING CHAIN	1	
3	D00C007	STARTER CHAIN GUIDE	1	
4	D00C006	STARTER CHAIN PROTECTOR	1	
5	D00I020	STARTING SPROCKET COMP	1	
6	D00L027	STARTING SPROCKET SETTING PLATE	1	
7	D00G072	STARTING CLUTCH OUTER	1	
8	D00G073	STARTING CLUTCH ROLLER SPRING	3	
9	D00G074	STARTING CLUTCH ROLLER SPRING CAP	3	
10	D00G075	STARTING CLUTCH SIDE PLATE	1	
11	D00I021	STARTING SPROCKET COLLAR	1	
13	D00G071	ROLLER 10*10	3	
14	D00G076	ROLLER 5*11.8	1	
15	D00C019	OIL SEAL 30*42*4.5	1	
16	D00C028	OIL SEAL 18.9*28*5	1	
17	D00C062	O RING 107*2	1	
18	D00C049	O RING 6*1.7	2	
19	81906016	FLAT SCREW 6*16	2	
20	81906014	HEX BOLT 6*14	1	

DwG070

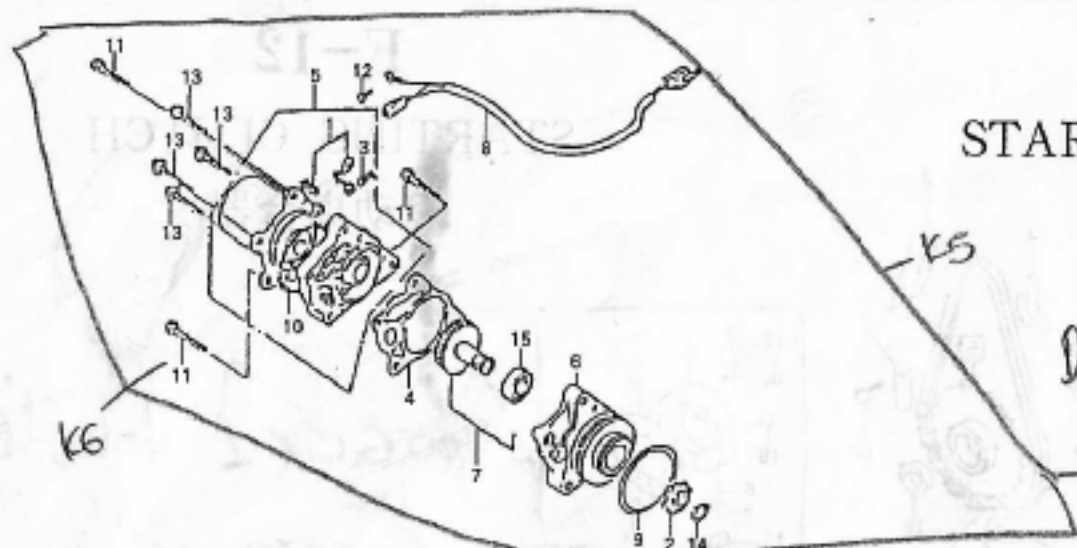
K39 PANDAZI MIZAS

E-13

STARTING MOTOR

起动电机  
ΣEC

DW000-1



No.	Part No.	Part Name		Reqd.No.	Remark
1	D00D005	BRUSH SET	电刷	1	
2	D00D006	SPROCKET	小链轮	1	
3	D00D007	BRUSH SPRING	弹簧	2	
4	D00D008	PACKING	密封垫	1	
5	D00D009	START MOTOR BODY COMP	电机组件	1	
6	D00D013	FR. CASE A	前壳体 A	1	
7	D00D014	GEAR COMP., DRIVEN	齿轮组件	1	
8	D00D002	SUB HARNESS A	副电缆 A	1	
9	D00D015	O RING A	O形密封圈 A	1	
10	D00D016	O RING B	O形密封圈 B	1	
11	96006050	SH FANGE BOLT 6*50	凸缘螺栓 6*50	3	-K5-K6-K20
12	81804006	WASHER SCREW 4*6	六角螺栓 4*6	1	
13	81806035	PANSCREW 6*35	带垫圈螺钉 6*35	4	
14	F00G030	EXTERNAL CIRCLIP 12MM	档圈 12mm	1	
15	2766001	RADIAL BALL BEARING 6001	轴承 6001	1	

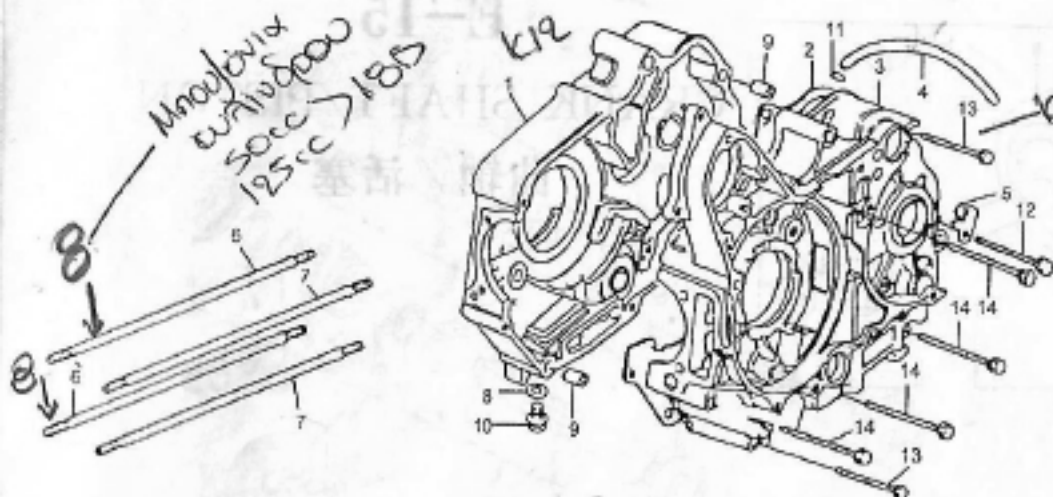
DW000-1



E-14

CRANK CASE

曲轴箱



No.	Part No.	Part Name	Reqd.No.	Remark
1	D00A020	R. CRANK CASE COMP	1	右曲轴箱体 -K19
2	D00B005	CRANK CASE GASKET	1	曲轴箱密封垫
3	D00A010	L. CRANK CASE COMP	1	左曲轴箱体
4	D00C024	BREATHER TUBE 5*250	1	通气管 5*250
5	D00L014	OVER FLOW PIPE CLAMP	1	管夹
6	D00L039	TUBE CLAMPER	1	管夹
7	D00M001	CYLINDER STUD BOLT A 6*194	2	气缸双头螺栓 A6*194
8	D00M002	CYLINDER STUD BOLT B 6*202.5	2	气缸双头螺栓 B6*202.5 -K188
9	D00L022	DRAIN COCK PACKING 12.5*20	1	垫圈 12.5*20
10	97010014	KNOCK PIN A 10*14	2	定位销 A10*14
11	D00E026	DRAIN PLUG BOLT	1	放油螺栓
12	D00L013	TUBE CLIP C9	1	锁紧圈 C9
13	96006050	SH FLANGE BOLT 6*50	1	凸缘螺栓 6*50 -K11
14	96006060	SH FLANGE BOLT 6*60	2	凸缘螺栓 6*60
15	96006065	SH FLANGE BOLT 6*65	4	凸缘螺栓 6*65

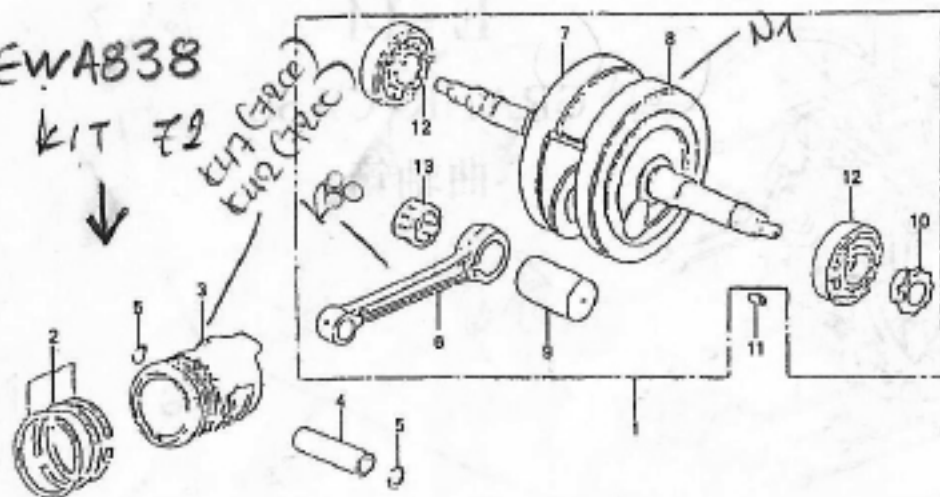
## E-15

## CRANK SHAFT/PISTON

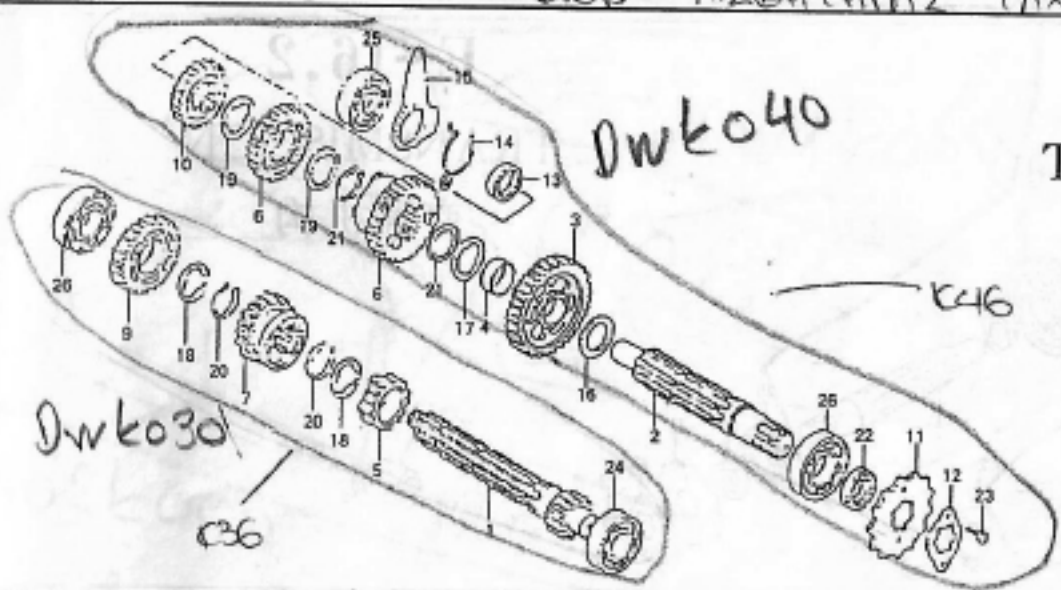
## 曲轴 / 活塞

EWAB38

KIT 72

K47 (Face)  
K42 (Rear)

No.	Part No.	Part Name	Reqd.No.	Remark
1	D00J000	CRANK SHAFT COMP	1	
2	E00J013	PISTON RING SET	1	
3	E00J009	PISTON TOP RING	1	
4	E00J010	PISTON 2ND RING	1	
5	E00J015	PISTON OIL RING	1	
6	E00J014	PISTON(STD)	1	
7	E00J012	PISTON PIN	1	
8	D00J011	PISTON PIN CLIP 13MM	2	
9	D00J004	CONNECTING ROD	1	
10	D00J005	R. CRANKSHAFT	1	
11	D00J006	L. CRANK SHAFT	1	
12	A00J007	CRANK PIN	1	
13	D00J002	TIMING SPROCKET 14T	1	
14	D00J001	WOODRUFF KEY	1	
15	2766304	RADIAL BALL BEARING 6304	2	
16	A00J008	CONNECTING ROD BEARING	1	



# E-16.1

## TRANSMISSION

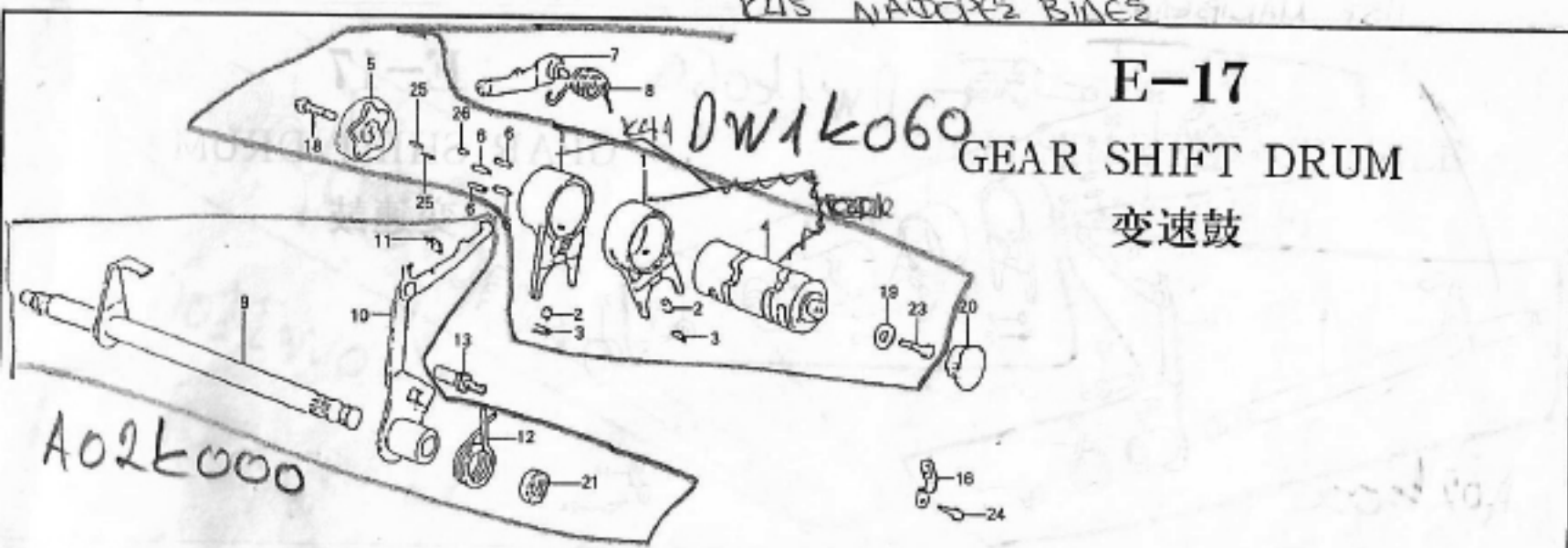
### 变速机构

No.	Part No.	Part Name	Reqd.No.	Remark
1	D00K031	MAIN SHAFT	1	
2	D00K041	COUNTER SHAFT	1	
3	D00K042	C-1 GEAR	1	
4	A00K043	BUSH 20 x 9	1	
5	D00K032	M-2 GEAR	1	
6	D00K045	C-2 GEAR	1	
7	D00K033	M-3 GEAR	1	
8	D00K046	C-3 GEAR	1	
9	D00K034	M-4 GEAR	1	
10	D00K047	C-4 GEAR	1	
11	D00K014	DRIVE SPROCKET 14T	1	
12	D00K013	DRIVE SPROCKET FIXING PLATE	1	
13	D00K057	COLLAR	1	
14	D00K058	SPRING	1	
15	D00E071	GEARSHIFT DRUM LOCK PLATE	1	
16	A00K054	THRUST WASHER 17MM	1	
17	A00K055	SPLINE WASHER	1	
18	A00K055	SPLING WASHER 17MM	2	
19	A00K052	SPLING WASHER 20MM	2	
20	A00K053	EXTERNAL CIRCLIP 17MM	2	

E-17

GEAR SHIFT DRUM

变速鼓

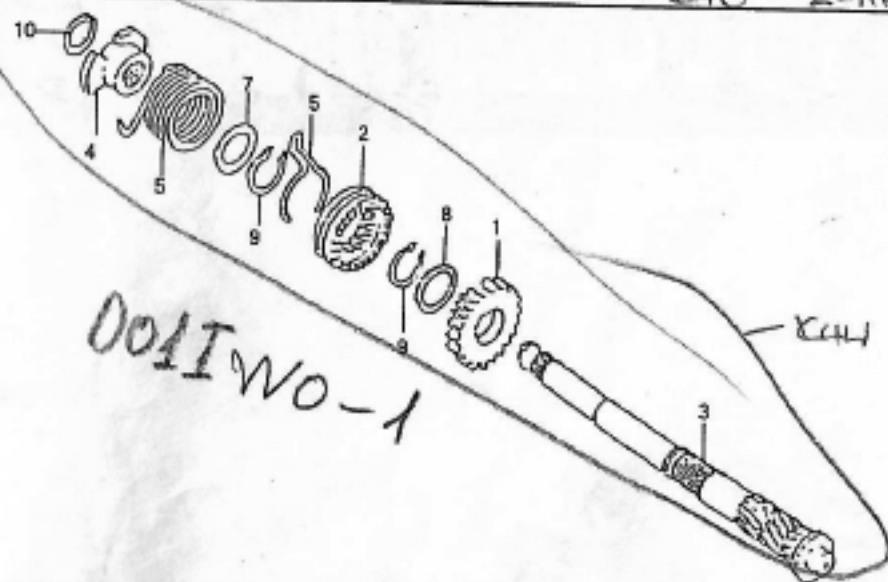


No.	Part No.	Part Name	Reqd.No.	Remark
1	D00K061	GEAR SHIFT FORK	2	
2	A00K69	GEAR SHIFT FORK GUIDE PIN	2	
3	A00K063	GEAR SHIFT FORK GUIDE PIN CLIP	2	
4	D00K066	GEAR SHIFT DRUM	1	
5	D00K023	GEAR SHIFT DRUM STOPPER PLATE	1	
6	D00K059	GEAR SHIFT DRUM PIN	1	
7	D00K070	SHIFT DRUM STOPPER ARM COMP	4	
8	D00H009	GEARSHIFT DRUM STOPPER SPRING	1	
9	D00K001	GEAR SHIFT SPINDLE COMP	1	
10	D00K007	GEAR SHIFT ARM COMP	1	
11	D00K008	GEAR SHIFT ARM SPRING	1	
12	D00K004	GEAR SHIFT RETURN SPRING	1	
13	D00K024	SHIFT RETURN SPRING PIN	1	
16	D00L034	FIXING PLATE	1	
18	578306016	KNOCK BOLT 6MM	1	

E-18

KICK STARTER SPINDLE

反冲起动机构



No.	Part No.	Part Name	Reqd.No.	Remark
1	D00I009	PINION KICK STARTER	1	
2	D00I006	STARTER DRIVE RATCHET	1	
3	D00I010	KICK STARTER SPINDLE	1	
4	D00I011	KICK SPRING RETAINER	1	
5	D00I016	STARTER PINION FRICTION SPRING	1	
6	D00I012	KICK STARTER SPRING	1	
7	A00I008	WASHER 17MM	1	
8	A00I004	THRUST WASHER 20MM	1	
9	A00I002	SET RING 20MM	2	
10	A00I007	EXTERNAL CIRCLIP 16MM	1	
	D01IWO-1	-K44		